



PowerLever® Lock Series

Stand-alone electronic access control.



PowerLever® Lock Series Features



Electronic access with no batteries or wires? You bet. The new PowerLever Door Lock, featuring our exclusive PowerStar® technology, generates its own electrical energy with each depression of the lever. It's electronic access control - with a twist.

You'll also get a charge out of the PowerLever Door Lock's conventional features. Like easy PIN changes, a free-wheeling lever, and designated code lockout. Windows® compatible software makes managing access schedules, user and audit data a snap. It's also ADA compliant, BHMA Grade One certified and easy to install. Why install anything else?



PowerStar Technology

Use of an internal generator creates all the necessary power. No batteries or external wiring required.

PowerLever® Features & Benefits

Keyless Entry

No more bulky key rings to keep track of; no more lost keys, rekeying expense or inconvenience.

SmartKey™

An encrypted "electronic" key, used as a personal identifier, programming device or to transfer data between system components and the doors you protect.

User Friendly Software

PowerLever software allows you to control hundreds of containers with no special wiring. The Windows® point-and-click interface makes it simple to install and use.

PowerStar™ Technology

No batteries, wiring, maintenance, hassles. Depressing the lever energizes the lock.

User-Changeable PINs

Each user's PIN is unique and can be changed at any time.

Optional Audit Trail

Record up to 23,000 audit events with date and time stamp.

Wrong-Try Lock-Out

Prevent "hackers" from determining the combination through trial and error.

Managerial Lock-Out

A user (or group of users) may be locked out, at the discretion of the lock manager to control lock access.

Access/Traffic Control & Access Schedules

Access only with a valid PIN. Restrict access with the optional Time Zone/Access Schedule feature.

Palm™ Interface

Link your PC and your lock together via the Palm™ Interface to share and retrieve data. Create user tables and retrieve audit data from the PC or the PowerLever Door Lock.

Choice of Finishes

Black Powder Coat (Chrome lever)
Chrome (US26D)
ADA-Compliant Lever with Clutching Mechanism

Installation

Easy installation in any standard ANSI 156.2 4000 Grade 1 cylindrical door prep application

PowerLever® Lock Series

Stand-alone electronic access control.



Applications

K-12

- Staff Entry
- Exit Door
- Library
- Computer lab
- Foodservice/Storage
- Gymnasium
- Auditorium
- Office

Government

- R&D area
- Laboratory
- Pharmacy
- Entry Door
- Exit Door

If you have an area that needs increased security—educational facility, laboratory, valuables storage area, R&D area, pharmacy, special remote site, or main entrance to your facility—the PowerLever Door Lock is an ideal solution.

Every user has a unique access code to unlock the door. The lock is programmed using a keypad, a small device called a SmartKey™ that looks like a shirt button, or a Palm™ Pilot. The lock gives both audible and visible indicators, making it easy to use. Some PowerLever Door Lock models maintain an audit trail that is a powerful deterrent to crime. The audit trail can be retrieved quickly and easily. You can secure all areas at once with PowerLever Door Lock or your system can grow with your needs.

Easy to install and operate

Installation is simple and the locks accommodate both left and right handed doors without modifications*. Since no battery is required to operate the lock, you don't have to worry about replacing one. Software and lock operation is friendly. Best of all, the PowerLever Door Lock is extremely strong and resists tampering.

For high-turnover secure areas, turn on the power with the PowerLever door lock.

**Exit device trim is field reversible*

PowerLever® Lock Series Specifications



Model 1550



Model 4550



Model 455x

Application			
Standard Commercial Door	X	X	X
Main Entrance Door	X	X	X
Exit Door			X
Finishes			
Satin Chrome with Chrome Lever	X	X	X
Matte Black with Chrome Lever	X	X	X
Features			
Audit Trail		23,000	23,000
Number of Users	20	3,000	3,000
Programmable Schedule		7	7
Mechanical Key Override	X	X	X
Technology			
User ID - PIN Number	X	X	X
SmartKey		X	X
SmartKey & PIN Number		X	X
Software			
Management System		X	X
Audit Software		X	X
Palm Interface		X	X

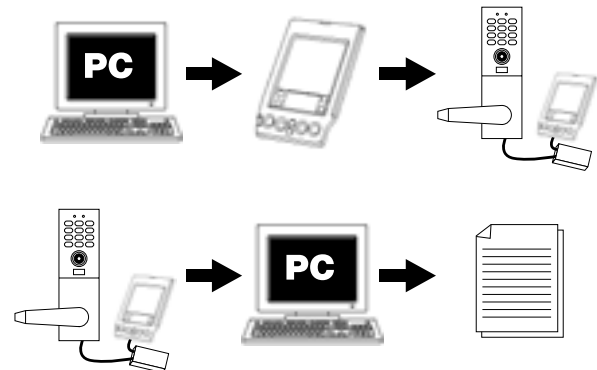


The Palm™ Interface

The PowerLever 4550 and the PowerLever 455x come with the ability for Palm™ communications to upload and download data to and from the lock and a PC. Using the Palm Pilot (not included), Lock Com Software and the Palm Communication module.

The Palm organizer may be connected to a PC with the PowerLever Door Lock system software or to the PowerLever model 455x Door Lock. A lock user table can be created at the PC, uploaded to the Palm™ organizer and downloaded at the lock from the Palm™ organizer.

The Palm organizer can be used at the lock to retrieve lock data such as audit records and user table information. This data can be transferred to the PC from the Palm™ organizer for viewing and/or printing. Any of the Palm™ III (Palm™ III, Palm™ IIIxe, and Palm™ IIIc) or Palm™ VII handhelds may be used in this application.



PowerLever® Lock Series Specifications



Note: Panic Bar not included

Hardware Specifications

- Cover Material:** Solid cast zinc
- Handing:** Non-handed*
- Door Thickness:** 1-3/8" (35 mm) - 2" (51 mm)
- Backset:** 2-3/4" (70 mm)*
- Latchbolt:** 9/16" (15 mm) throw*
- Strike:** 4-7/8" (124 mm) ASA strike standard or 2-3/4" (70 mm) T-strike optional*
- Lever:** Solid cast zinc, return to within 1/2" (13 mm) of door face
- Keypad:** Epoxy coated metal buttons
- Cylinder Options:**
 - Standard:** Conventional key-in-lever solid brass 6-pin with two nickel silver keys.
 - Options:** Lock prepared for small format interchangeable core (Arrow,™ Best,® Falcon™) for 6 or 7-pin cores. (Core not supplied)
- Finishes:**
 - Covers:** (1) Black powder coat (2) Satin chrome (US26D)
 - Levers:** Satin chrome (US26D)
- Warranty:** One year limited
- Certifications:** ANSI/BHMA A156.3/156.25 (Model 455x) ANSI/BHMA A156.2/156.25 (Model 1550/4550)
- Compliance:** 3-hour U.L./J.L.C. Fire Door Rating; ADA
- Master Carton:** 3 locks per

Electronic Specifications

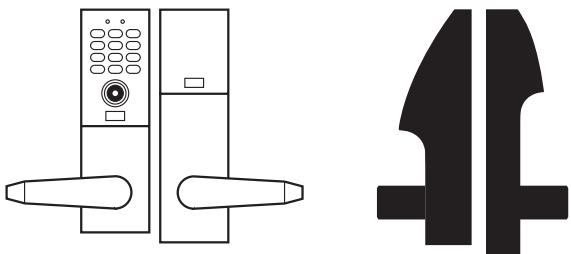
- Power Unit:** Solenoid
- Power:** Self power by depressing outside lever
- Total # of Access Users:**

Model 1550:	20
Model 4550:	3,000
Model 455x:	3,000
- Total # of Audit Records:**

Model 1550:	NA
Model 4550:	23,000
Model 455x:	23,000
- Resists Radar Emissions:** Up to 100 volts/meter

Dimensions for Door Lock

- Outside case:** 3-1/2" (89 mm) x 9-1/4" (235 mm) x 2-3/8" (61 mm)
- Inside case:** 3-1/2" (89 mm) x 9-3/4" (247 mm) x 1-3/4" (44.5 mm)

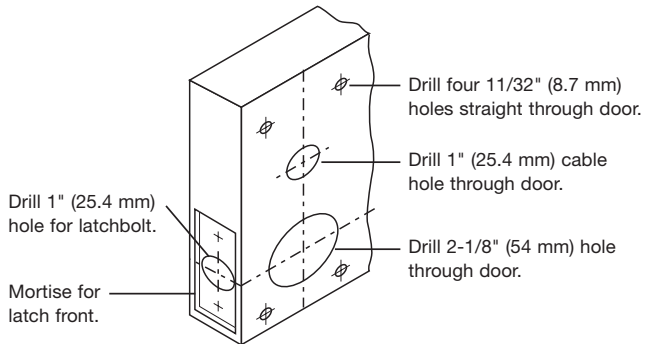


Environmental Performance

The lock may be used in both indoor and outdoor applications. Outdoor applications require use of a PowerLever Pro-Gasket™ Kit for maximum performance. Note: For outdoor applications where the lock is unprotected from freezing rain or rain followed by freezing temperatures, a Pro-Guard™ Weather shield must be installed over the lock to prevent ice from forming between the keybuttons and the outside cover.

- The lock will perform satisfactorily in the following environmental conditions:
- Temperature: -13 degrees F (-25 degrees C) to +151 degrees F (+66 degrees C).
 - Humidity: 24 hour exposure at 85%, +86 degrees F (+30 degrees C); as defined in UL 2058, Sec. 23
 - Operational Salt Spray: 96 hour exposure; as defined in UL 437, Sec. 12
 - Rain: 1-hour exposure; as defined in UL 2058, Sec. 35
 - Dust: 1-hour exposure; as defined in UL 2058, Sec. 36. Lock Case

Door Preparation for Door Lock



PowerLever® technical support line
1-800-950-4744

* For door lock only



PowerLever® Lock Series Options

External Device Contact

PowerLever Door Lock models 4550 & 455x include a day contact, with removable wiring harness that can be used to activate an external device (ie:electromagnetic lock, electronic strike, CCTV, video recorder etc.). When a valid combination is entered, the contact is closed, actuating the external device. Max voltage level of 20 volts DC or power dissipation of 0.5 watts.

Exit Device Compatibility

- **455A** Von Duprin 98, 99, 98-F, 99-F
- **455B** Von Duprin 22, 22-F
- **455C** Sargent 8888, 12-8888
Arrow: SS3801, S3803, F-S3801, F-S3803
- **455D** Dorma 9300, F9300
- **455E** Precision 1103, FL1103
- **455F** Monarch 18-R, F-18-R

Software Implementation Kit

Save, print and manage user and audit data on your desktop or laptop PC. Kit includes PC software, Key Reader, SmartKey™ and Reference Manual. Compatible with Windows 98SE & newer.



Kaba Ilco Corp.
2941 Indiana Avenue
Winston-Salem, NC 27105
1-800-849-8324

24 Hour Technical Support:
1-800-950-4744

Contact our office for the name of the sales representative or dealer/distributor in your region.



www.kaba-ilco.com